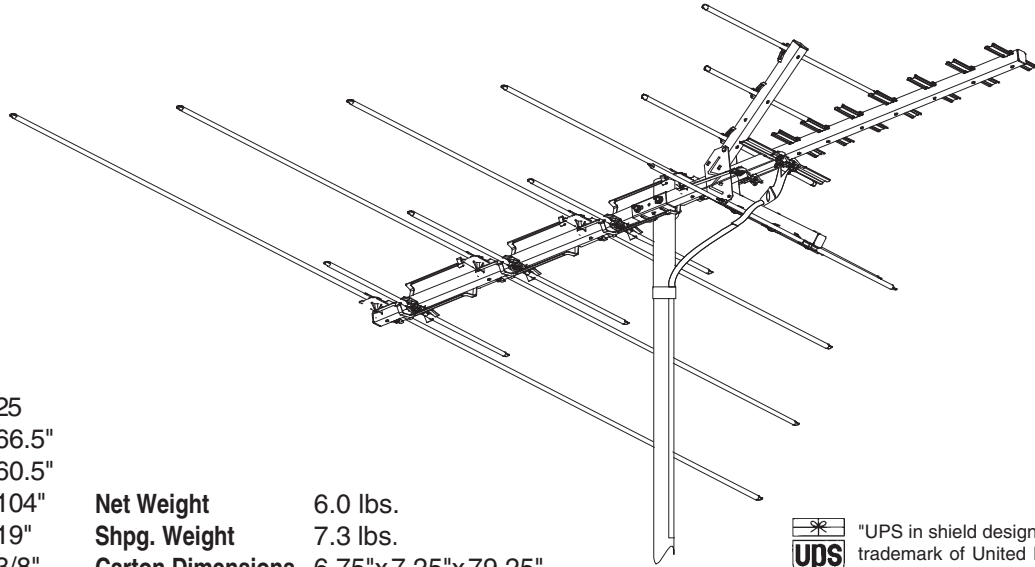




# HD Series VHF/UHF/FM ANTENNA

## engineering specifications

Model HD-7010



**Active Elements** 25  
**Boom Length** 66.5"  
**Turning Radius** 60.5"  
**Maximum Width** 104"  
**Vertical Height** 19"  
**Element Diameter** 3/8"

**Net Weight** 6.0 lbs.  
**Shpg. Weight** 7.3 lbs.  
**Carton Dimensions** 6.75"x7.25"x79.25"



"UPS in shield design is a registered trademark of United Parcel Service of America, Inc. used by permission."

**Output Impedance:** 300 ohm/75 ohm with included transformer  
**Recommended Preamp:** AP Series

Made in U.S.A.

CHANNEL	CH.2	CH.4	CH.6	CH.7	CH.9	CH.11	CH.13	CH.14	CH.32	CH.50	CH.69
<b>dB gain over reference dipole</b>	3.0	3.5	2.2	7.1	7.4	7.7	7.2	9.0	9.4	9.4	7.8
<b>beamwidth at half power points</b>	77°	76°	74°	36°	39°	40°	40°	52°	50°	46°	31°
<b>front-to-back ratio</b>	3.5dB	7dB	9dB	9dB	7dB	8.5dB	13dB	8dB	19dB	17dB	11dB

### POLARPATTERNS

