

NPR 4

Non-penetrating Mount

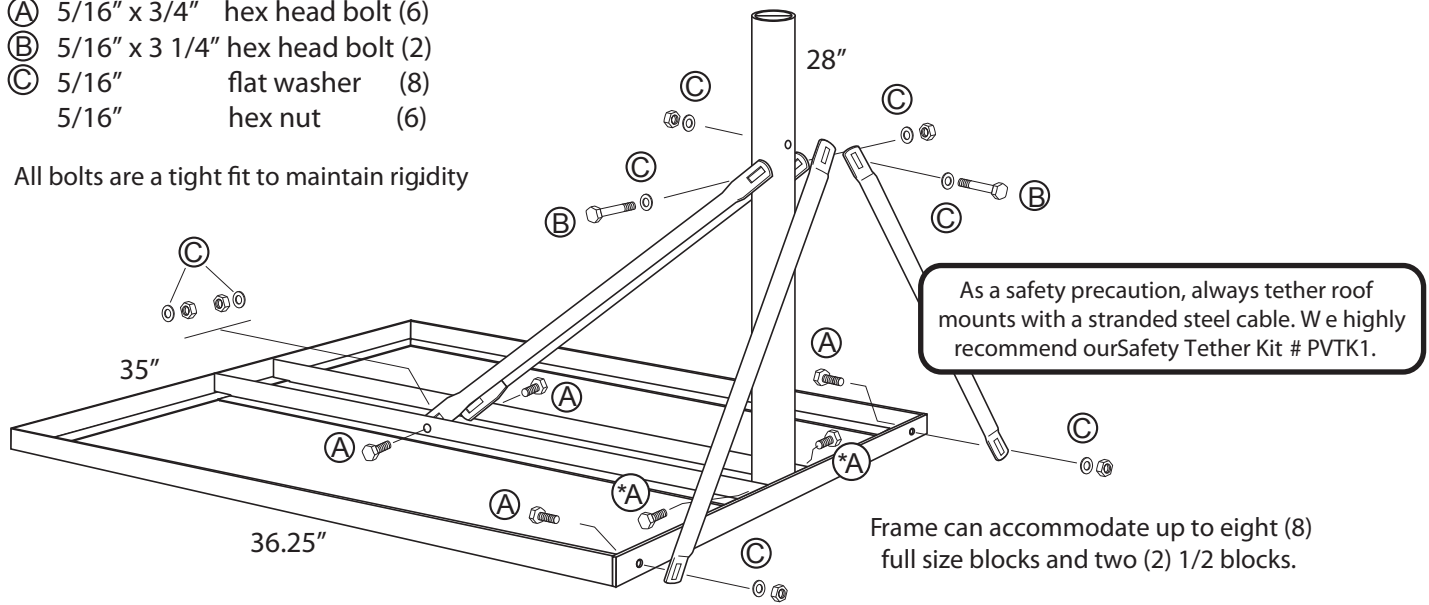
Watch For
Overhead Wires!

DANGER

Contact With Electric Wires Can Be FATAL!

- (A) 5/16" x 3/4" hex head bolt (6)
- (B) 5/16" x 3 1/4" hex head bolt (2)
- (C) 5/16" flat washer (8)
- 5/16" hex nut (6)

All bolts are a tight fit to maintain rigidity



For easiest assembly, we suggest that you install the TWO main pivot bolts *A first

NPR 4

Non-penetrating Mount

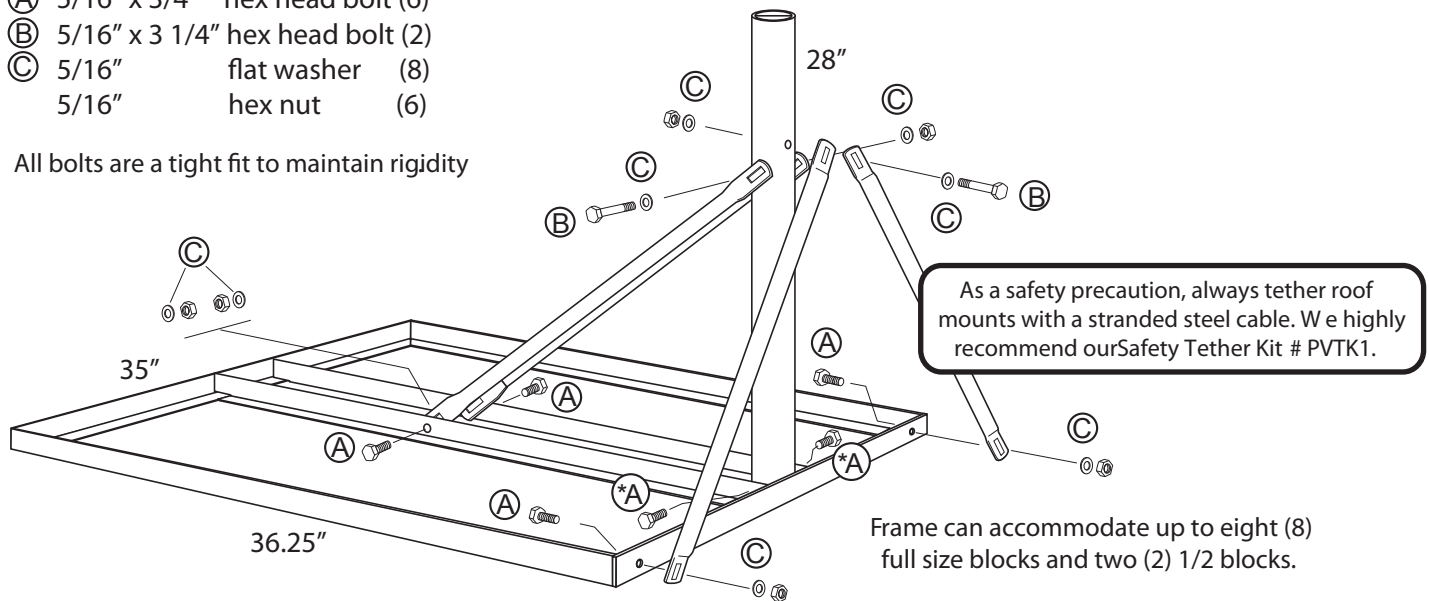
Watch For
Overhead Wires!

DANGER

Contact With Electric Wires Can Be FATAL!

- (A) 5/16" x 3/4" hex head bolt (6)
- (B) 5/16" x 3 1/4" hex head bolt (2)
- (C) 5/16" flat washer (8)
- 5/16" hex nut (6)

All bolts are a tight fit to maintain rigidity



For easiest assembly, we suggest that you install the TWO main pivot bolts *A first